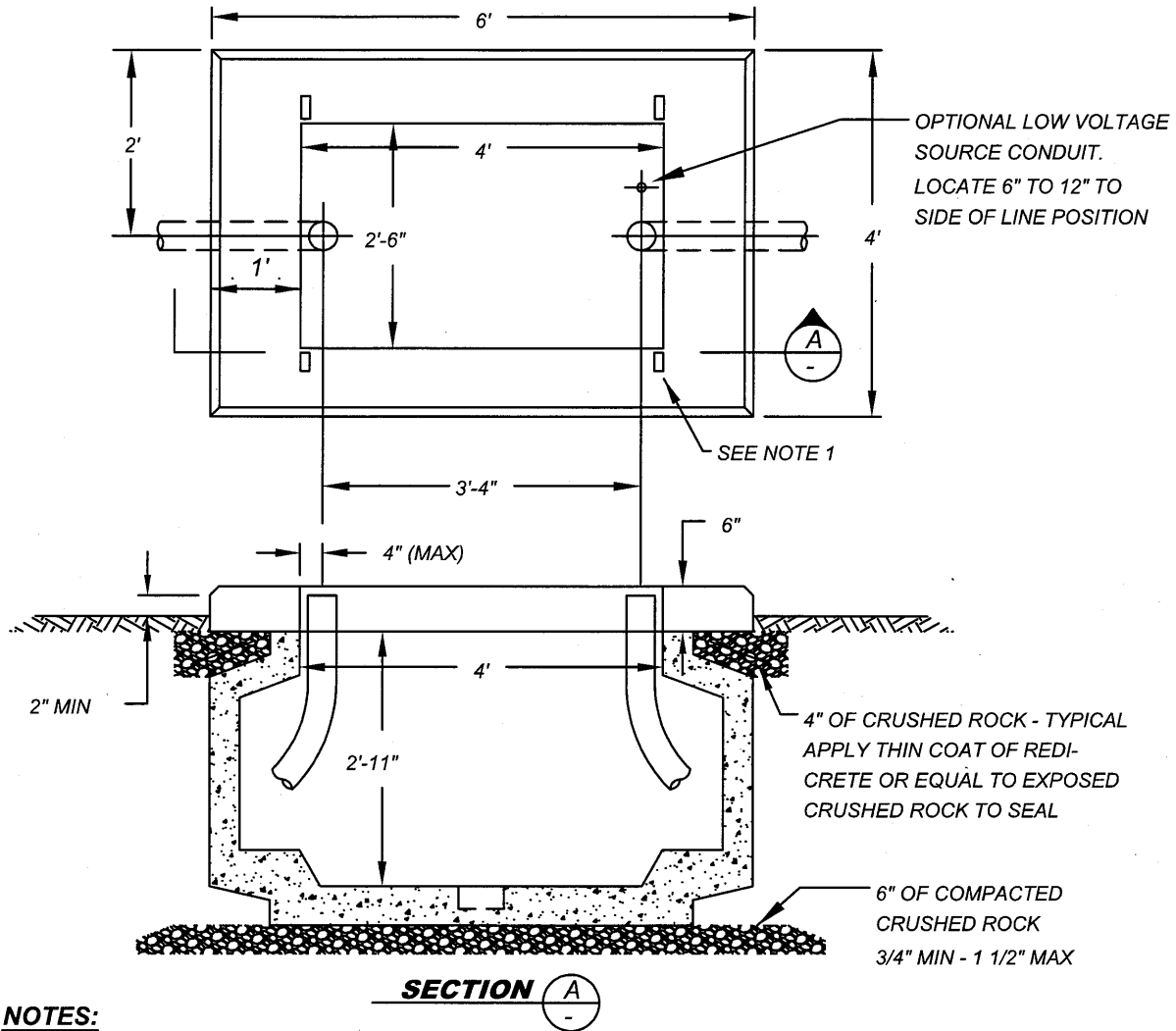


MORENO VALLEY STANDARD No MVEU-730C-0

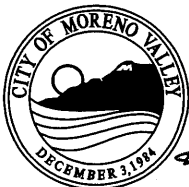
4' x 6' PAD WITH 2.5' x 4' BOX FOR PMH-4 OR PMH-5 SWITCHGEAR



NOTES:

1. IDENTIFY BUS, OR FUSE POSITION ON DRAWING.
2. RISER BEND MUST TERMINATE VERTICALLY.
3. GALVANIZED UNISTRUT CHANNEL FOR SECURING SWITCH TO PAD.
4. SWITCHGEAR CAN ONLY BE INSTALLED WITH CABINET DOORS FACING ENDS. CABINET CAN BE ROTATED 180 DEGREES.
5. CABLE CLEAR OPENING SHALL BE COVERED WITH AN ELECTRICAL-APPROVED COVER AT THE TIME OF STRUCTURE PLACEMENT.
6. BACKFILL AROUND THE STRUCTURE SHALL BE WITH A MINIMUM OF ONE SACK PER YARD SAND CEMENT SLURRY TO WITHIN ONE FOOT OF FINISHED GRADE. THE SURFACE ELEVATION OF THE SLURRY SHALL NOT VARY MORE THAN ONE FOOT AROUND THE PERIMETER OF THE STRUCTURE AS IT IS BEING PLACED.
7. MINIMUM EXCAVATION PER MANUFACTURES RECOMMENDATIONS.
8. REFER TO STDS MVEU-722 & MVEU-723 FOR ADDITIONAL DETAILS.
9. ENCLOSURE TO BE INSTALLED WITH PRIMARY GROUND ASSEMBLY AND CABLE RACK ASSEMBLY.

NOT TO SCALE



RECOMMENDED:
 [Signature] 12-27-16
 DIVISION MANAGER DATE
 APPROVED:
 [Signature] 1/20/17
 PUBLIC WORKS DIRECTOR / DATE
 CITY ENGINEER

CITY OF MORENO VALLEY

PUBLIC WORKS DEPARTMENT - ELECTRIC UTILITY DIVISION

**4' x 6' PAD WITH 2.5' x 4' BOX
 FOR PMH-4 OR PMH-5
 SWITCHGEAR**

STANDARD PLAN
MVEU-730C-0
 SHEET 3 OF 3