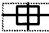
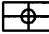

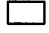


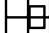
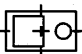
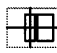


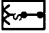

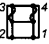
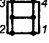
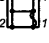
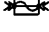
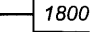
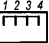
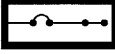



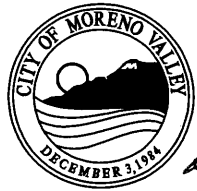

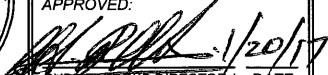
LEGEND OF STRUCTURES

VAULT	
MANHOLE	
SOE	
PULL BOX	
STREET LIGHT	
HANDHOLE	
PAD	
PME/SUBSURFACE STRUCTURE	
PAD MOUNTED TRANSFORMER/SLAB BOX	
METER PEDESTAL	

LEGEND OF EQUIPMENT SYMBOLS

PM TRANSFORMER-1PH	
PM TRANSFORMER-3PH-RADIAL	
PM TRANSFORMER-3PH-LOOPING	
SWITCH-PME9	
SWITCH-PME10	
SWITCH-PME11	
LBFC (LOAD BREAK FUSE CABINET)	
CAPACITOR BANK	
SWITCH-GAS INSULATED	
INTERCONNECT PANEL	
METER PEDESTAL	

NOT TO SCALE

	RECOMMENDED:  12.27.16 DIVISION MANAGER DATE	<h2>CITY OF MORENO VALLEY</h2> PUBLIC WORKS DEPARTMENT - ELECTRIC UTILITY DIVISION	STANDARD PLAN <b>MVEU-702-0</b>
	APPROVED:  1/20/17 PUBLIC WORKS DIRECTOR / DATE CITY ENGINEER		<b>STRUCTURE &amp; EQUIPMENT SYMBOLS</b>