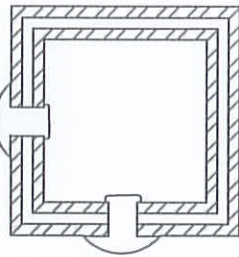
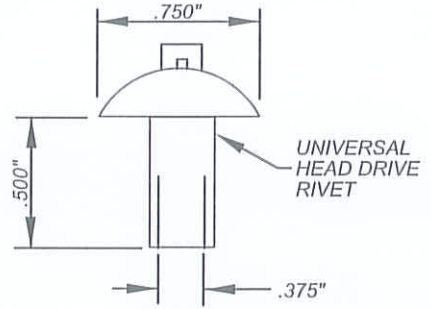


RIVET LOCATIONS
(SEE NOTE 6 ON
STD MVGF-625A-0)

DIRECTION OF
TRAFFIC FLOW

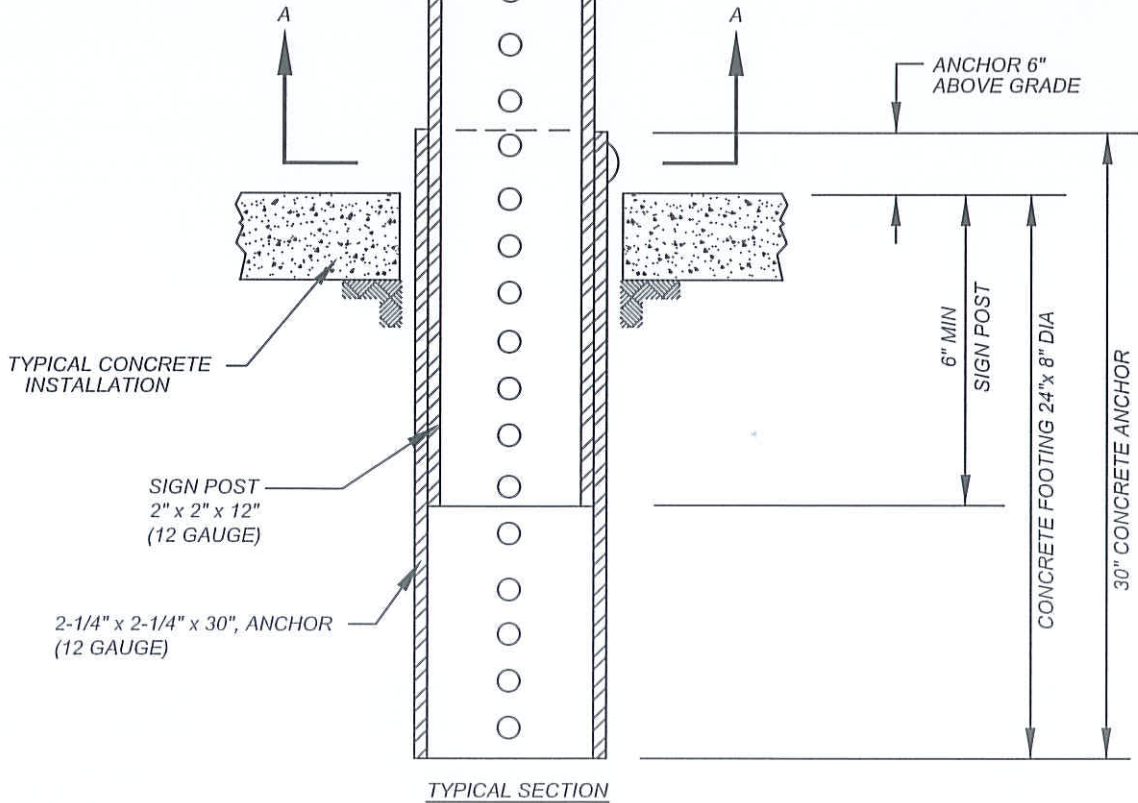


SECTION "A-A"



RIVET
DETAIL

SIGN POST
2" SQUARE
(12 GAUGE)

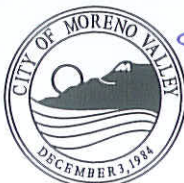


TYPICAL SECTION

NOTE:

IN TURF/PLANTERS, INSTALL INTO CONCRETE FOOTING.

NOT TO SCALE



RECOMMENDED:
[Signature] 1/21/14
DIVISION MANAGER DATE
APPROVER:
[Signature] 1/29/14
PUBLIC WORKS DIRECTOR / DATE
CITY ENGINEER

CITY OF MORENO VALLEY

PARKS AND COMMUNITY SERVICES DEPARTMENT

**SIGN POST INSTALLATION
IN PARKS**

STANDARD PLAN
MVGF-625A-0

SHEET 1 OF 2