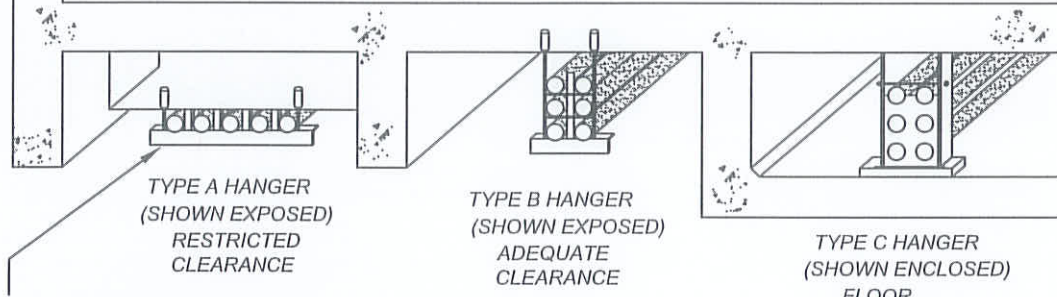
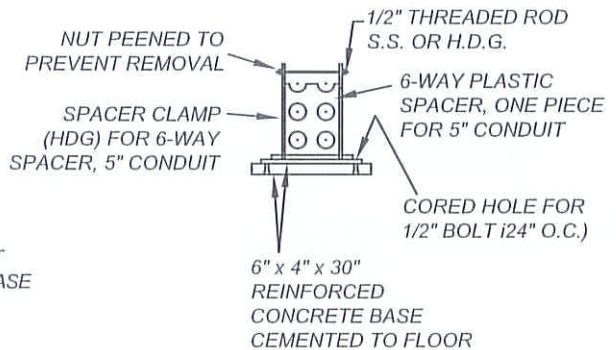
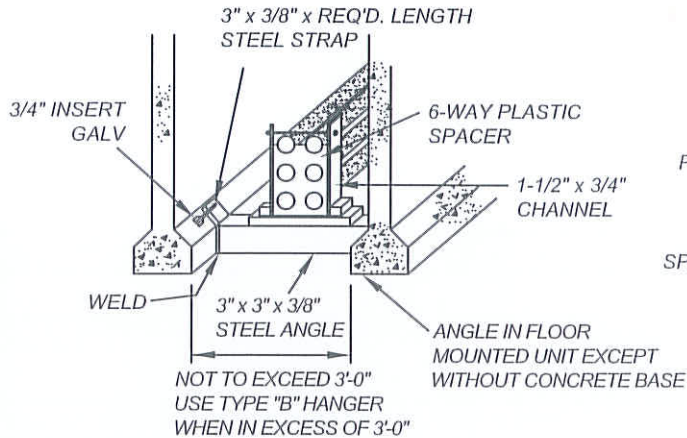
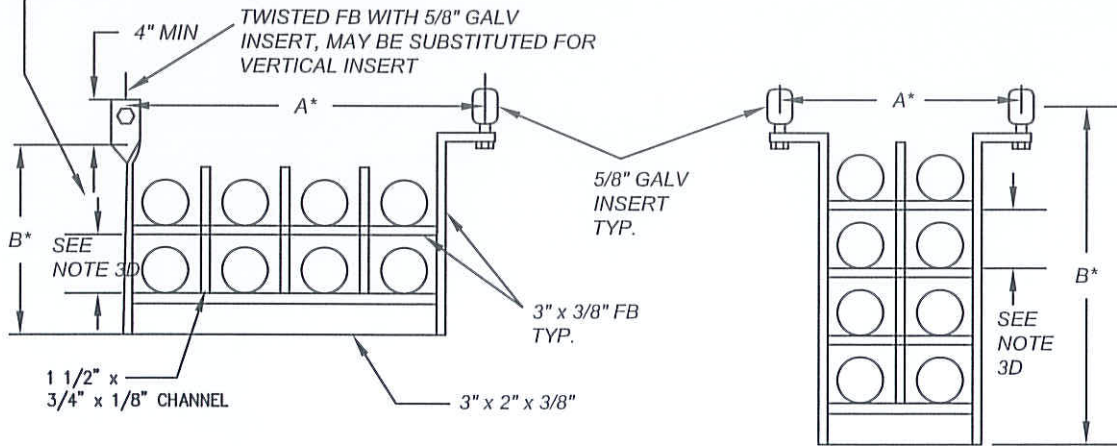


**MORENO VALLEY STANDARD NO. MVEU-732A-0**  
**SUPPORTS FOR CONDUITS ON BRIDGES**

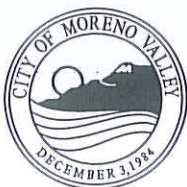


CONDUIT MAY BE SINGLE OR DOUBLE TIER  
 (CENTER SUPPORT REQUIRED IF IN EXCESS OF 8 CONDUITS TOTAL)



**TYPE D HANGER**  
 ALTERNATE TO HANGER SUPPORT  
 (SHOWN EXPOSED)

NOT TO SCALE



RECOMMENDED:  
*[Signature]* 1-15-14  
 DIVISION MANAGER DATE

APPROVED:  
*[Signature]* 1/29/14  
 PUBLIC WORKS DIRECTOR / DATE  
 CITY ENGINEER

**CITY OF MORENO VALLEY**  
 PUBLIC WORKS DEPARTMENT - ELECTRIC UTILITY DIVISION

**ALTERNATE SUPPORTS FOR CONDUITS ON BRIDGES**

STANDARD PLAN  
**MVEU-732A-0**

SHEET 1 OF 2