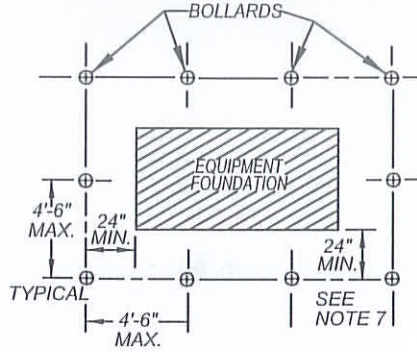
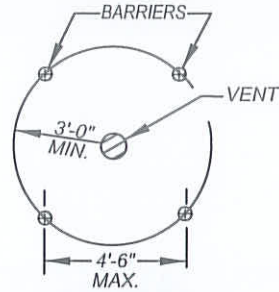


MORENO VALLEY STANDARD NO. MVEU-722-0

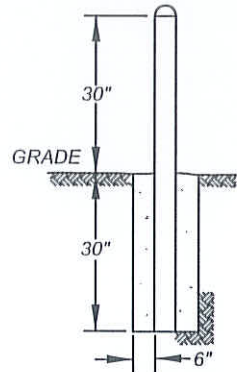
**PROTECTIVE BARRIERS FOR EQUIPMENT AND STRUCTURES
SUBJECT TO TRAFFIC LOCATIONS**



PLAN VIEW
EQUIPMENT FOUNDATION



PLAN VIEW
VAULT VENT PIPE



ELEVATION VIEW
BOLLARD DETAIL

BARRIER

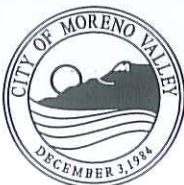
TO BE ONE OF THE FOLLOWING:

- 1) 4" GALV. STEEL PIPE (1/4" MIN. WALL) FILLED WITH CONCRETE
- 2) RAILROAD RAIL (90 LB. MIN.), or 51 14 75 AMERICAN STD. BEAM (5"x3"x1/2")
- 3) 8"x8" REINF. CONCRETE
- 4) SPECIAL BARRIERS BY PRIOR CITY APPROVAL

NOTES:

1. STRUCTURES WILL NORMALLY BE INSTALLED ONLY IN NON-TRAFFIC AREAS. BARRIERS TO BE USED WHEN EQUIPMENT IS LESS THAN 5' FROM TRAFFIC LANE (WITH CURB), 10' FROM TRAFFIC LANE (WITHOUT CURB), OR IN PARKING LOTS WHERE WITHIN 5' OF ANY VEHICULAR TRAFFIC AREA.
2. TOP OF BARRIERS TO BE SMOOTH CUT AND TOP EDGES TO BE ROUNDED.
3. ONE BARRIER TO BE REMOVABLE WHEN OVERHEAD OBSTACLES PREVENT EQUIPMENT REMOVAL BY CRANE.
4. ADEQUATE CLEARANCE MUST BE PROVIDED FOR DOORS, COOLING COILS, ETC.
5. BARRIERS, AS SHOWN, INDICATE TYPICAL REQUIREMENTS. FIELD CONDITIONS WILL NECESSITATE CHANGES FOR ADEQUATE EQUIPMENT PROTECTION. APPROVAL IN THE FIELD FROM THE UNDERGROUND INSPECTOR IS REQUIRED FOR ALL BARRICADE INSTALLATIONS.
6. WHEN SPECIFIED ON WORKING DRAWING, A 6" (MINIMUM HEIGHT) CURB MAY BE INSTALLED IN PLACE OF BARRIERS. THIS CURB MUST BE AT LEAST 6" THICK AND ITS FRONT FACE LOCATED 60" MINIMUM (OR AS SPECIFIED ON DRAWING) FROM THE EQUIPMENT FOUNDATION.
7. INCREASE TO 44" MINIMUM AT FRONT OF PADMOUNT 3 Ø TRANSFORMERS AND CAPACITORS, AND 36" MINIMUM AT BACK OF CAPACITORS (DOOR SIDE ONLY), WHEN A 72" x 94" PAD IS BEING INSTALLED.

NOT TO SCALE



RECOMMENDED:
[Signature] 1-5-14
 DIVISION MANAGER DATE
 APPROVED:
[Signature] 1/29/14
 PUBLIC WORKS DIRECTOR / DATE
 CITY ENGINEER

CITY OF MORENO VALLEY

PUBLIC WORKS DEPARTMENT - ELECTRIC UTILITY DIVISION

**PROTECTIVE BARRIERS FOR
EQUIPMENT AND STRUCTURES
SUBJECT TO TRAFFIC LOCATIONS**

STANDARD PLAN
MVEU-722-0

SHEET 1 OF 1