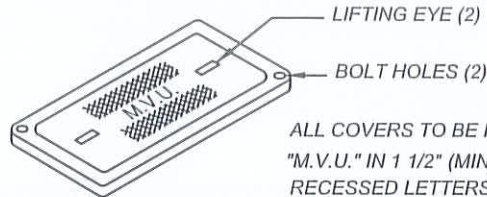


MORENO VALLEY STANDARD NO. MVEU-720-0

10.5" x 17" x 24"

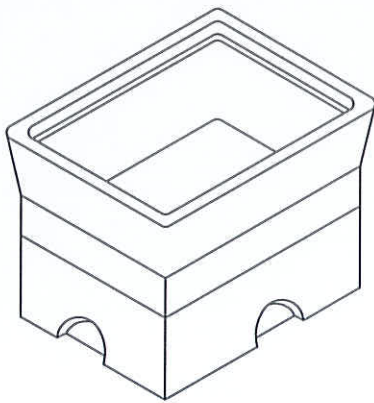
STREET LIGHT CONNECTION PULL BOX

(STREET LIGHT SYSTEM ONLY)



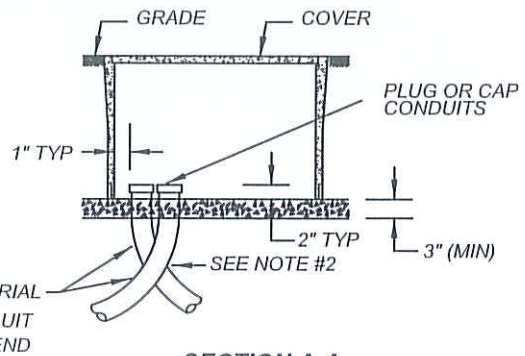
TYPICAL COVER

(PLASTIC OR CONCRETE IF IN SIDEWALK)



TYPICAL ASSEMBLY WITHOUT COVER

(PLASTIC OR CONCRETE IF IN SIDEWALK)



SECTION A-A

ALL CONDUITS

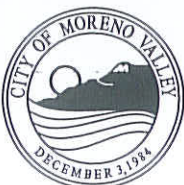


CONDUIT LOCATIONS

NOTES:

1. RADIUS ANGLE MAY BE REDUCED TO LESS THAN 90° PROVIDING THE PROJECTED CENTER LINE OF THE CONDUIT CLEARS HANDHOLE OPENING.
2. TWO HOLD DOWN DEVICES TO BE SUPPLIED WITH EACH HANDHOLE.

NOT TO SCALE



RECOMMENDED:  
 [Signature] 1-15-14  
 DIVISION MANAGER DATE  
 APPROVED:  
 [Signature] 1/29/14  
 PUBLIC WORKS DIRECTOR / DATE  
 CITY ENGINEER

**CITY OF MORENO VALLEY**

PUBLIC WORKS DEPARTMENT - ELECTRIC UTILITY DIVISION

**10.5" x 17" x 24"**  
**PULL BOX**  
**FOR STREET LIGHT CONNECTION**

STANDARD PLAN  
**MVEU-720-0**

SHEET 1 OF 1