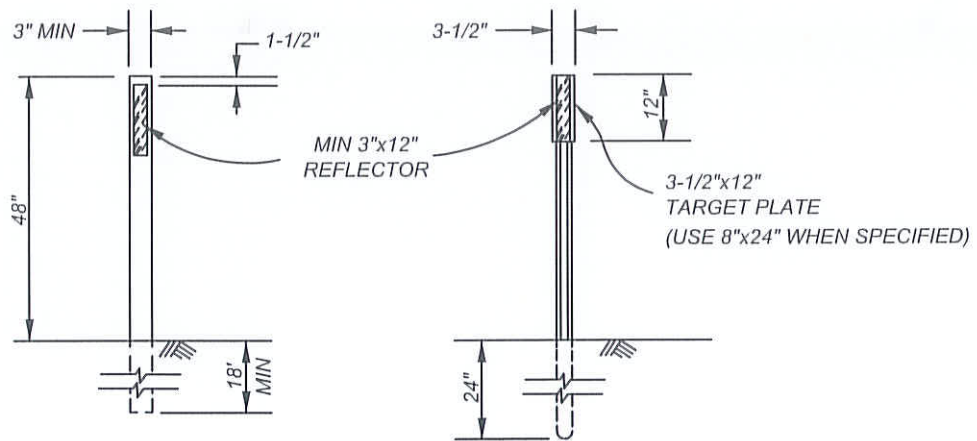


DELINEATOR POSITIONING



**CLASS 1
FLEXIBLE POST**

**CLASS 2
METAL POST**

DELINEATORS

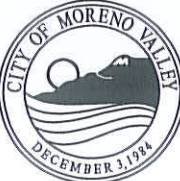

DELINEATOR REFLECTORIZATION

TYPE	REFLECTOR COLOR	
	FRONT	BACK
E	WHITE	WHITE (SEE NOTE 1)
F	WHITE	NONE
G	YELLOW	NONE
I	YELLOW	YELLOW (SEE NOTE 1)

NOTES:

- 1.) THE REFLECTOR USED ON BACK OF DELINEATOR SHALL BE ONE 3" SQUARE REFLECTIVE SHEETING ON CLASS 1 DELINEATOR AND ONE STANDARD REFLEX REFLECTOR ON CLASS 2 DELINEATOR.
- 2.) THE TYPE OF REFLECTORIZATION AND THE CLASS OF DELINEATOR TO BE INSTALLED WILL BE DESIGNATED ON THE PLANS AS E-1, F-2, ETC.

NOT TO SCALE

	RECOMMENDED: EL 1/22/14 DIVISION MANAGER DATE	CITY OF MORENO VALLEY PUBLIC WORKS DEPARTMENT - TRANSPORTATION ENGINEERING DIVISION	
	APPROVED:  1/29/14 PUBLIC WORKS DIRECTOR / DATE CITY ENGINEER	DELINEATORS	